

Fusion Slim Panels 600x300

Surface Mount or Suspension



FEATURES

- Easy surface mountable slim design
- 40,000 hours of operation
- Energy efficient
- No start-up time or flickering
- 120 degree beam angle
- Tridonic driver
- Even light distribution and no unwanted spots
- Maintenance-free

ALL MODELS

- 240VAC 50HZ input (198-264VAC and over voltage protection)
- Mounting: surface mount, suspended or recessed flush into plaster
- Side mounted 2835 SMD

LUMINAIRE CONSTRUCTION

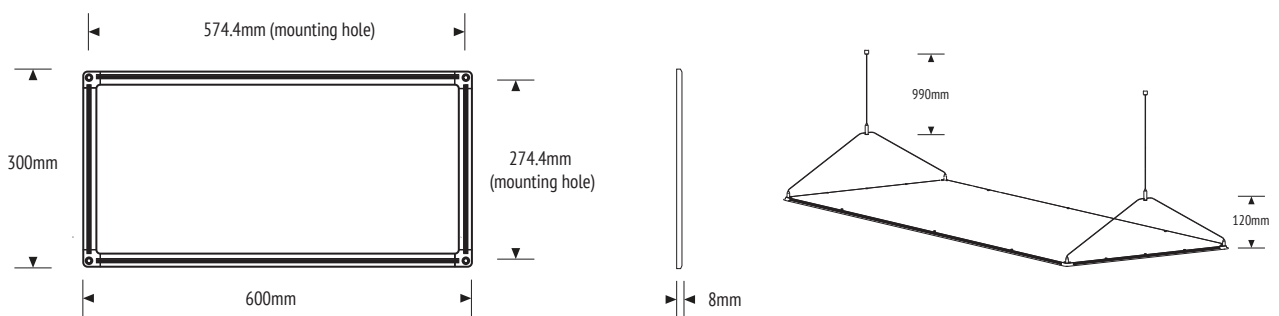
- Opal acrylic diffuser and LGP
- Extruded aluminium frame: powder-coated white

OPTIONS

- Dimmable: DALI, Switch DIM
- Suspension kits
- CRI 90
- Cyanosis observation approved models

SUGGESTED APPLICATIONS

- Childcare centres
- Halls
- Medical facilities
- Office spaces
- Retail space
- Schools
- Shopping centres



Model	Light Source/Lamp	Lumen Luminaire (lm)	Power Lamp (W)	Power Luminaire (W)	Colour Temp (°K)	Colour Rendering Index (CRI)	Power Factor	LED Qty	LED Type	LED Brand	IP Rating	Dimensions (mm)			Weight (kg)
												L	W	H	
LEDP20W-6030-830SM	LED	1700	20	24	3000	>80	0.96	104	SMD2835	Epistar	IP41	600	300	8	1.7
LEDP36W-6030-850SM	LED	1800	20	24	5000	>80	0.96	104	SMD2835	Epistar	IP41	600	300	8	1.7



3 year warranty (optional 5 year warranty). Refer to warranty card for more information.

Due to continual improvement through research and development, El-Electric reserves the right to change specifications without notice. Must be installed by a Licenced Electrician.