

# Fusion Round 400



## FEATURES

- 40,000 hours of operation
- Energy efficient
- No start-up time or flickering
- 120° degree beam angle
- Tridonic Driver
- Even light distribution and no unwanted spots
- Maintenance-free

## ALL MODELS

- 240VAC 50HZ input (198-264VAC and over voltage protection)
- Mounting: recessed with spring clips
- Side mounted SMD

## LUMINAIRE CONSTRUCTION

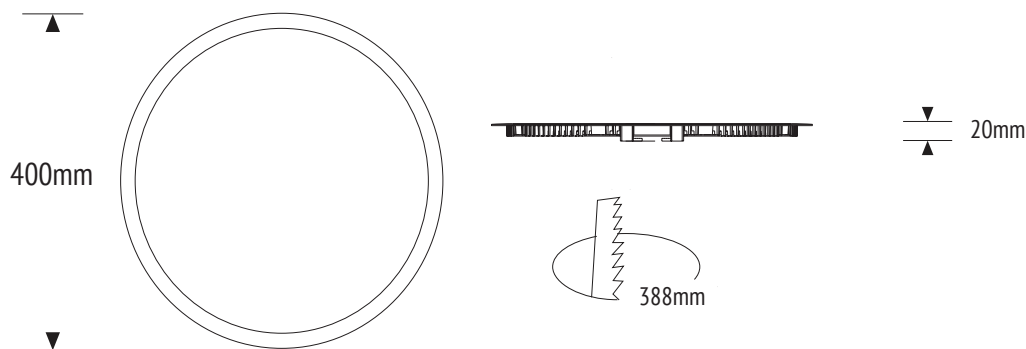
- Powder-coated die-cast aluminium housing
- Opal acrylic diffuser and LGP
- Sturdy steel spring clips

## OPTIONS

- Dimmable: Dali, Switch DIM
- Trim colour options
- CRI 90
- Cyanosis observation approved models

## SUGGESTED APPLICATIONS

- Childcare centres
- Bathrooms
- Bedrooms
- Kitchens
- Living areas
- Medical facilities
- Office spaces
- Schools
- Walkways and stairwells



Model	Light Source/Lamp	Lumen Luminaire (lm)	Power Lamp (W)	Power Luminaire (W)	Colour Temp (°K)	Colour Rendering Index (CRI)	Power Factor	LED Qty	LED Type	LED Brand	IP Rating	Dimensions (mm)		Weight (kg)
												Ø	H	
LEDPXL26W-400-830	LED	2280	26	30	3000	>80	0.94	150	SMD2835	Samsung	IP41	400	20	1.205
LEDPXL26W-400-840	LED	2400	26	30	4000	>80	0.94	150	SMD2835	Samsung	IP41	400	20	1.205



3 year warranty. Refer to warranty card for more information.

Due to continual improvement through research and development, El-Electric reserves the right to change specifications without notice. Must be installed by a Licenced Electrician.