

Fusion Panels 1200x300

Suits T-Bar or Surface Mount Bracket



FEATURES

- 40,000 hours of operation
- Energy efficient
- No start-up time or flickering
- 120 degree beam angle
- Tridonic driver
- Even light distribution and no unwanted spots
- Maintenance-free

ALL MODELS

- 240VAC 50HZ input (198-264VAC and over voltage protection)
- Mounting: recessed into T-Bar grid ceiling or surface mount bracket
- Side mounted 2835 SMD

LUMINAIRE CONSTRUCTION

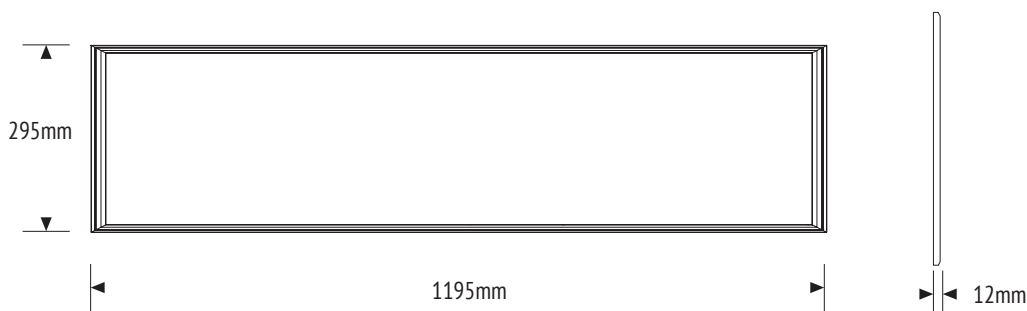
- Opal acrylic diffuser and laser etched LGP
- Extruded aluminium frame: powder-coated white

OPTIONS

- Dimmable: DALI, Switch DIM, 0-10V
- Surface mount brackets
- Trim colour options
- CRI 90
- Cyanosis observation approved models

SUGGESTED APPLICATIONS

- Childcare centres
- Halls
- Medical facilities
- Office spaces
- Retail spaces
- Schools
- Shopping centres



Model	Light Source/Lamp	Lumen Luminaire (lm)	Power Lamp (W)	Power Luminaire (W)	Colour Temp (°K)	Colour Rendering Index (CRI)	Power Factor	LED Qty	LED Type	LED Brand	IP Rating	Dimensions (mm)			Weight (kg)
												L	W	H	
LEDP36W-1230-830RCW	LED	3200	36	41	3000	>80	0.94	198	SMD2835	Epistar	IP41	1195	295	12	5.3
LEDP36W-1230-840RCW	LED	3900	36	41	4000	>80	0.94	198	SMD2835	Epistar	IP41	1195	295	12	5.3
LEDP36W-1230-850RCW	LED	3500	36	41	5000	>80	0.94	198	SMD2835	Epistar	IP41	1195	295	12	5.3



3 year warranty (optional 5 year warranty). Refer to warranty card for more information.

Due to continual improvement through research and development, El-Electric reserves the right to change specifications without notice. Must be installed by a Licenced Electrician.